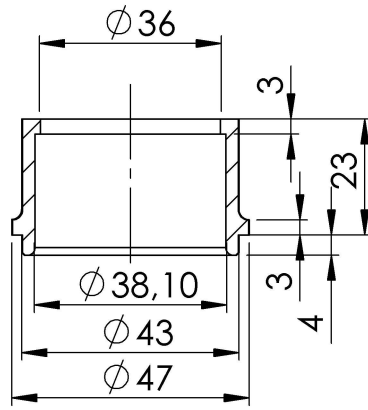
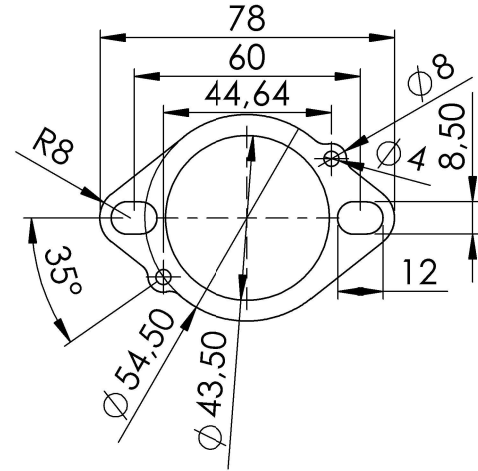


dB-killer n.59
Cod.3014228801

BUSHER STAINLESS S.
COD.204870



FLANGE STAINLESS S.
COD.204448



LV one evo Stainless s.
Øi 50 RHS
Cod.3014228481

Allen screw M8X35
T.C.Z.B.
Cod.200319

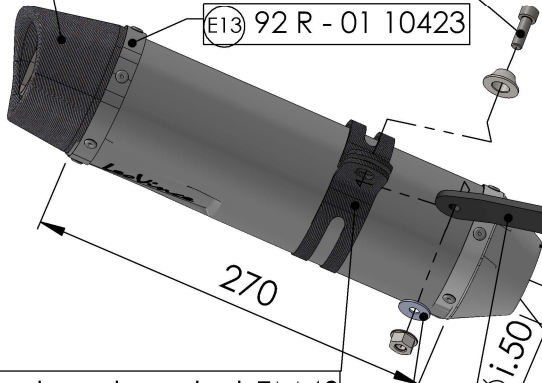
N°3Aisi 304
stainless steel flange
Cod.204448

N°7 Short helical spring
tensile
Cod.303949001

N°2Aluminium spacer
Ø 27x8,5x11
Cod. 204321

Allen screw M8X25
T.C.Z.B.
Cod.200314

N°3Stainless Steel
Busher 38,1X36X27
Cod.204870



E13 92 R - 01 10423

Allen screw M8X16
T.C.Z.B.
Cod.200360

Pipe N°2
Cod.301403202

Carbon bracket FM4S
Cod.307572505

Plain washer 8x24
Cod.200321

Stainless s. bracket
Prod. Cod.3014228501
Purch. Cod.206419

N°3 Knurled collar nut M8
Cod.200298

E13 0387 (S) E13 00012 F

Pipe N°1
Cod.3014032201

Pipe N°3
Cod.301403203

Pipe 3/1
Cod.3014228201

Art. 14228EK

YAMAHA MT09/SP - MT09 TRACER/GT (Fits also with centre stand) - XSR900

FULL SYSTEM 3/1 - LV ONE EVO - STAINLESS S. - APPROVED